

## Indexing plungers

with rest position

### SPECIFICATION

- Guide
- Zinc die casting
- zinc plated, blue passivated
- Knob
- Plastic (Polyamide PA)
  - black, matt
  - not removable
- Pin
- Steel, hardened
- Single components Steel / Brass

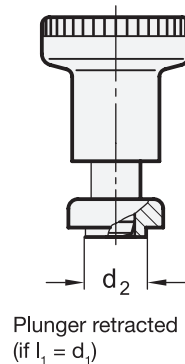
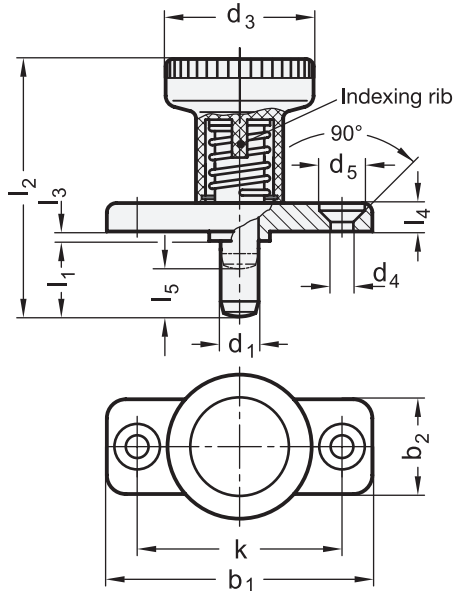
### INFORMATION

Indexing plungers GN 608.1 with rest position are used for such applications where the plunger has to stay in its retracted position. To achieve this, the knob is rotated by 90° degrees after being retracted. A notch keeps the plunger in this position. Indexing plungers GN 608.1 are distinguished for their small dimensions. The locking tab is integrated into the knob thus giving reliable operation at all times.

- Range of indexing plungers (see page 738)

### TECHNICAL INFORMATION

- ISO-Fundamental Tolerances (see page A21)
- Plastic characteristics (see page A2)
- Load rating information (see page A42)



### GN 608.1

Description	d1 Pin -0.02/-0.05 Bore H7	l1	b1	b2	d2 -0.02/-0.1	d3	d4	d5	k	l2	l3 -0.15	l4	l5	Spring load in N ≈ initial	Spring load in N ≈ end	Axial load in N	
GN 608.1-6-6	6	6	40	18	10	25	4.3	8.3	30	37	2.5	4.5	6	9	25	400	36
GN 608.1-6-14	6	14	40	18	10	25	4.3	8.3	30	45	2.5	4.5	6	9	25	400	38
GN 608.1-8-8	8	8	46	20	12	31	5.3	10.4	34	44	2.5	5.5	8	13	26	500	60
GN 608.1-8-18	8	18	46	20	12	31	5.3	10.4	34	54	2.5	5.5	8	13	26	500	62